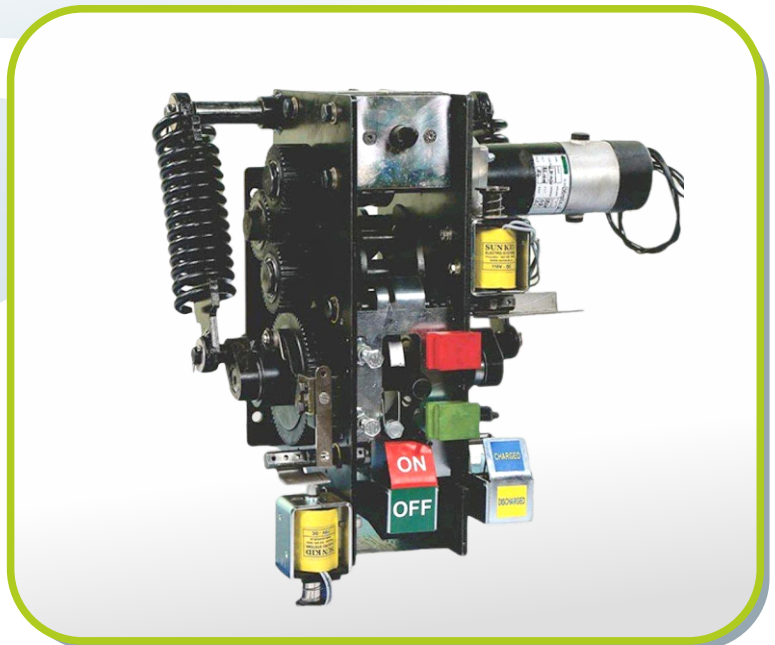
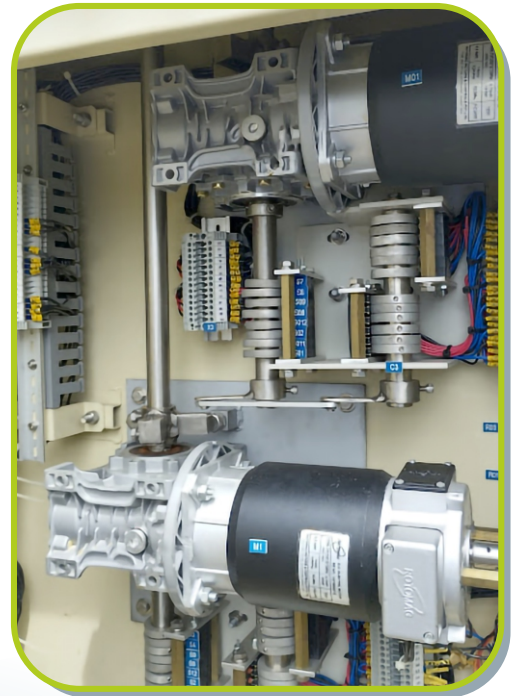
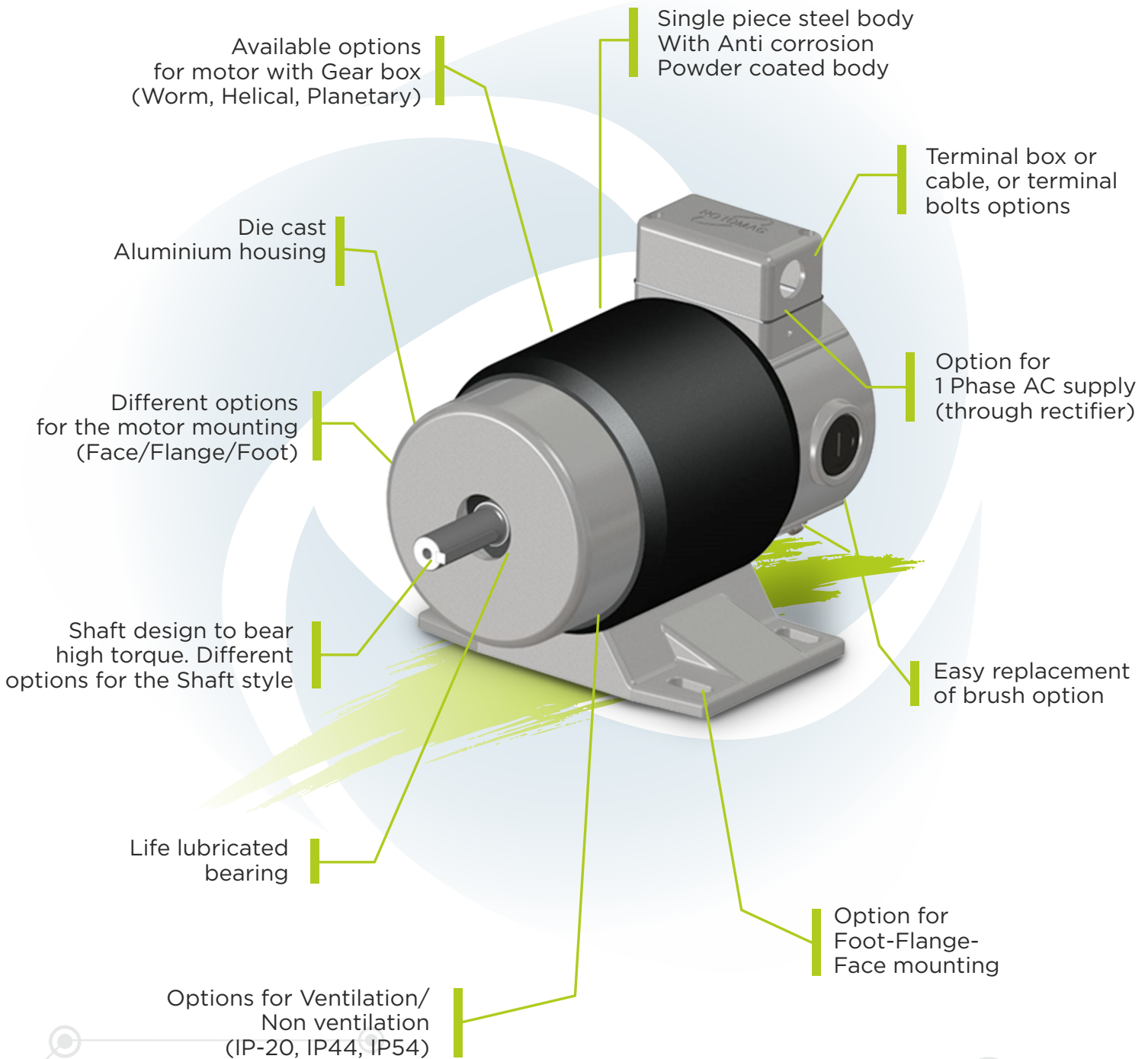


D.C MOTOR RANGE FOR  
ISOLATOR  
DISCONNECTOR  
SWITCH GEAR  
SPRING CHARGING



# Features of Rotomag made DC Motor for the Application of

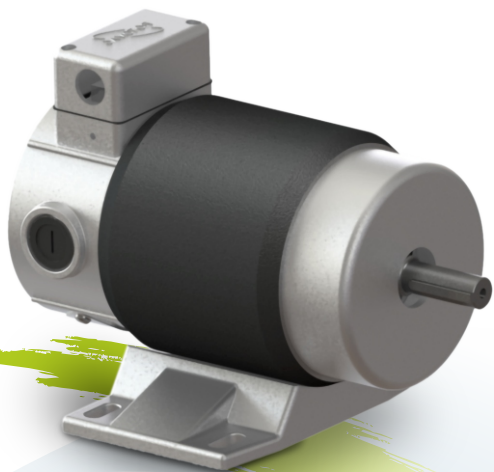
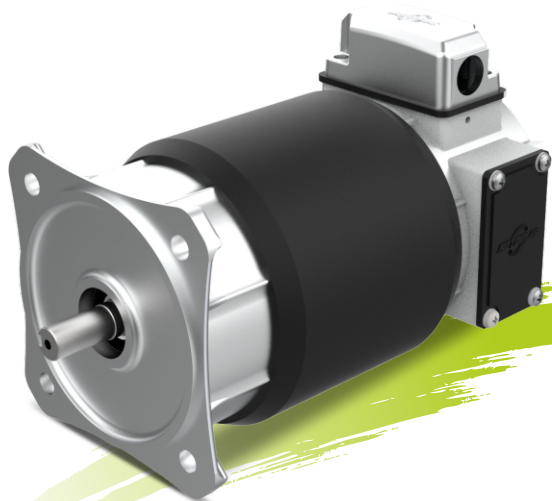
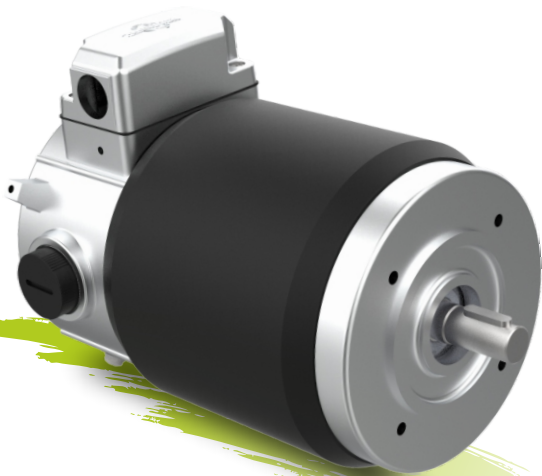
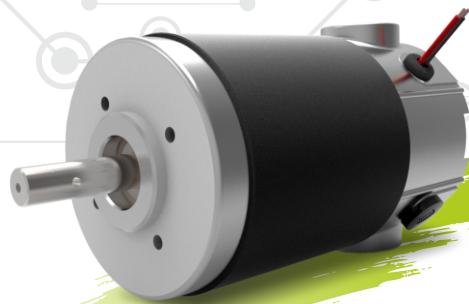
## Isolator • Switch Gear • Spring Charging



## Un-geared Motors

**Power:** 0.2 HP to 1 HP

**Speed:** 1000 to 4800RPM



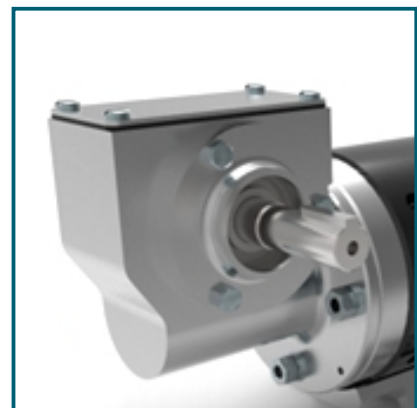
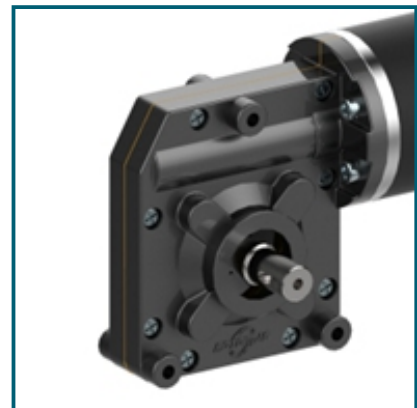
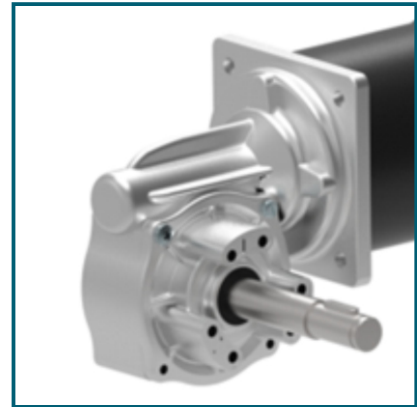
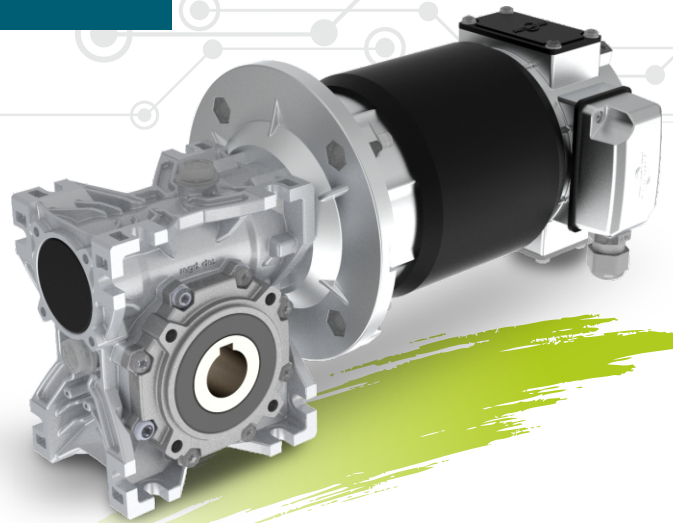
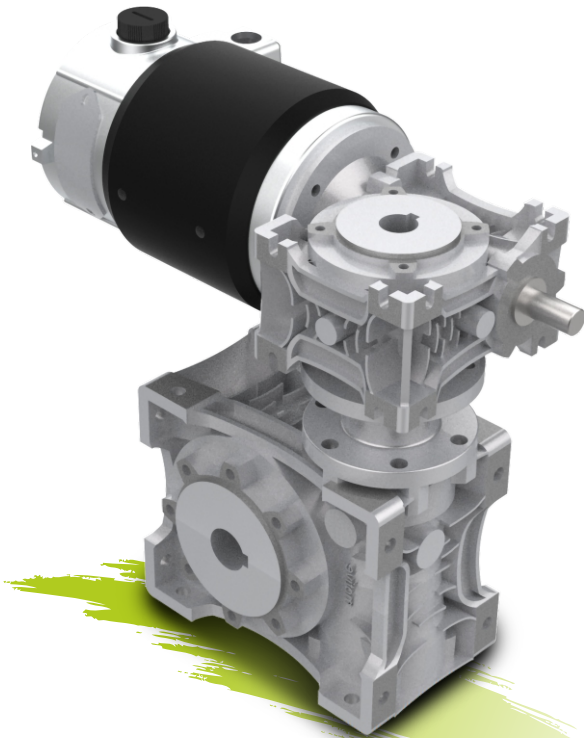
### Options for

- Face/flange, Foot mounting
- Options for Customized Shaft
- Life lubricated bearings
- Low noise
- Single piece steel body
- Double bearing supported output shaft
- Easy replacement, long life of brush
- Available for TENV-SPDP-TEFC versions
- Customized mounting upon request
- Leads with special connector upon request and Terminal

# Worm Geared Motors

**Power:** 0.2 HP to 2 HP

**Speed:** 2.5 to 600RPM

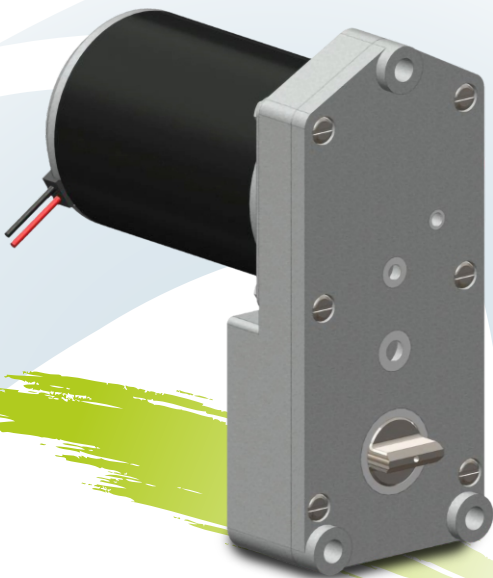
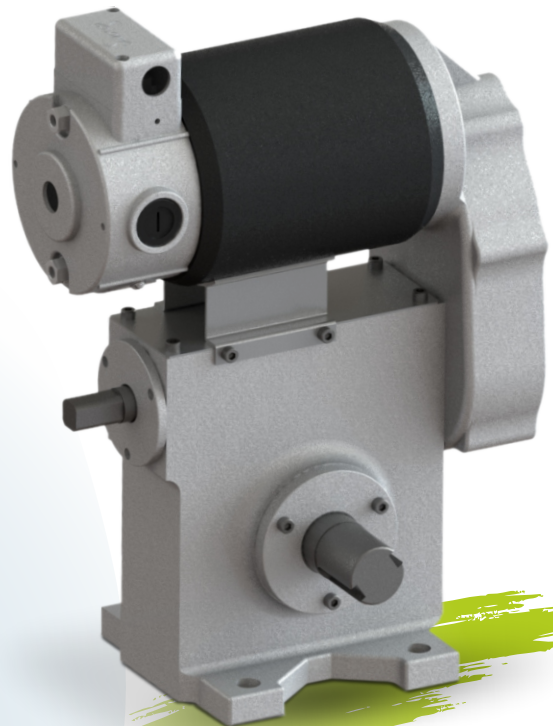
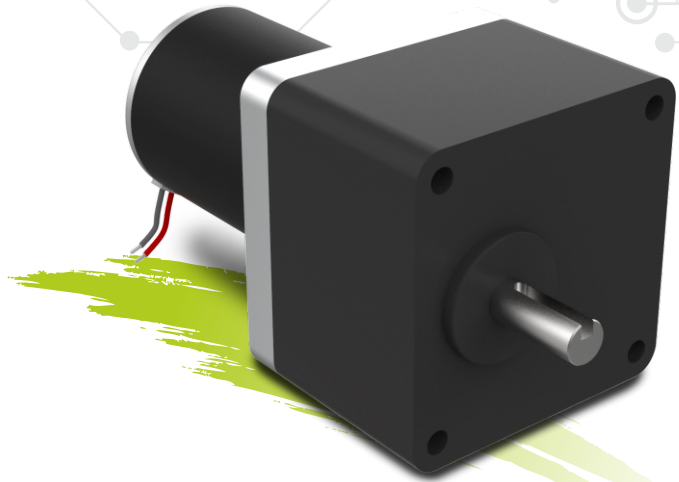


## Options for

- Different types and sizes of the gear box
- Double gear box reduction
- Option for Shaft/flange
- Options for Face/flange, Foot mounting
- Options for Customized Shaft
- Ground hardened pinion & Bronze gears (Metalic) and Delrin worm wheel for Low power
- life lubricated bearings
- Low noise
- Compact Gear box design ( geared motor) because of motor+gearbox housing combination
- Double bearing supported output shaft
- Easy replacement, long life of brush
- Available for TENV-SPDP-TEFC versions
- Customized mounting upon request
- Leads with special connector upon



# Planetary Geared Motors Or other Geared Motors Customization based on requirement



**ROTOMAG**

DC MOTORS FOR  
INDUSTRIAL APPLICATIONS

[www.rotomag.com](http://www.rotomag.com)

**ROTOMAG**  
*Water from the Sun*

SURFACE & SUBMERSIBLE  
SOLAR PUMPS

[www.rotosol.solar](http://www.rotosol.solar)

**rotomotive**  
*looks good. performs better.*

AC MOTORS AND  
GEARBOXES

[www.rotomotive.com](http://www.rotomotive.com)

 **CYCLO**

PLANETARY & CYCLODIAL  
GEARBOXES

[www.cyplagear.com](http://www.cyplagear.com)



**ROTOMAG MOTORS & CONTROLS PVT LTD**  
2102/03 & 04, GIDC, Vitthal Udhyognagar,  
Near Anand - 388121, Gujarat, India

**Phone** : +91 92746 84894 / +91 93771 73406  
**Email** : [sales@rotomag.com](mailto:sales@rotomag.com)  
**Web** : [www.rotomag.com](http://www.rotomag.com)